
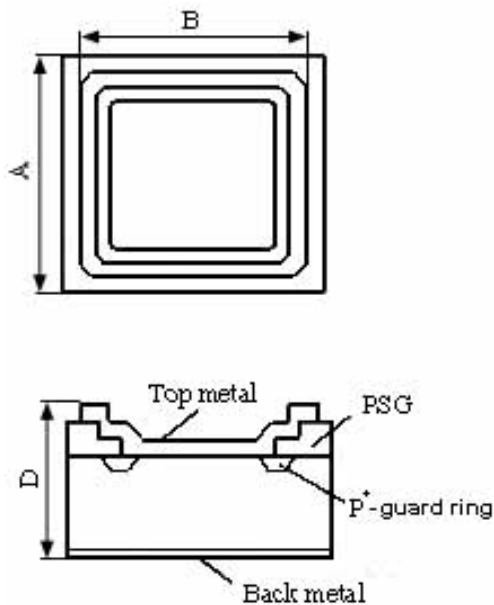


SCHOTTKY DIODES KDN-02060A.



Rev.1. Feb. 2010

 VSP-MIKRON		2A/60V. Die Size-51mil.		
Electrical Characteristics	Symbol	Unit	Spec. limit	Die Sort
Breakdown Voltage @ $I_R=10mA$	V_{BR}	V	60	65
Average Rectified Forward Current	$I_{F(AV)}$	A	2,0	-
DC Forward Voltage @ 25°C, $I_F=2,0A$ 25°C, $I_F=4,0A$	V_F	V	0,60 0,72	0,58 0,70
Maximum Reverse Current @ 25°C, $V_R=65V$ 25°C, $V_R=60V$ 125°C, $V_R=60V$	I_R	mA	- 0,080 25,0	0,080 0,060 23,0
Peak Forward Surge Current 8,3ms single half sine-wave superimposed on rated load (JEDEC METHOD)	I_{FSM}	A	60	-
Peak Repetitive Reverse Surge Current @ 2,0µs, f=1kHz., $T_J < 150^\circ C$.	I_{RRM}	A	2,0	
Electrostatic Discharge Voltage. JEDEC Method. ESD HBM. Contact.	ESD	kV	±8 (contact)	
Voltage Rate of Change	dV/dt	V/µS	10.000	
Operating Junction Temperature	T_J	°C	150	



DIM	ITEM	µm
A_x A_y	Wafer Form Die Size	1300 1300
B_x B_y	Top Metal Size	1160 1160
D	Thickness	300max.
Scribe line Width		80

Top metal: a) **Al-Ni-Ag** – for Soldering;
b) **Al** – for Wire Bonding.

Backside metal: **Ti-Ni-Ag**.